

Caroma®

Profile 5 Deluxe

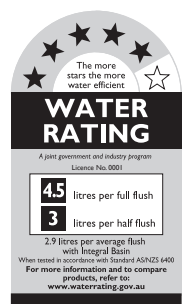
Vitreous China 4.5/3 litre Dual Flush
Close-Coupled Toilet Suite



CI/SfB	(74.1)	g3
Date	May 2015	

Supersedes all previous issues

3.28.5



Caroma® Profile 5 Deluxe

Vitreous China 4.5/3 litre Dual Flush Close-Coupled Toilet Suite with Integrated Hand Basin (IHB)



A close-coupled suite with smooth round corners and a concealed trap for ease of cleaning, the **Profile 5 Deluxe (IHB)** close-coupled vitreous china toilet suite delivers a 4.5/3 litre dual flush. The Profile cistern with hand basin lid is an integrated system comprising of cistern with high performance outlet valve, fitted with low profile push buttons. Australia's first 5 star rated toilet suite. An innovative dual-flush push button and spout combination that saves water by allowing the same water to be used for two purposes. Fresh water is first used for hand washing and then flows into cistern to ultimately flush the toilet.

Pan: **Caravelle** 4.5 litre full flush washdown pan with open flushing rim.

Traps: S or P-trap unvented only.

Cisterns: **Profile (IHB)** cistern – has a screw down fitted hand basin lid and is suitable for domestic and light commercial applications.

Inlet Valve and Overflow: **Standard Bottom Inlet Cistern** – available as right hand inlet which is interchangeable and incorporates the Quietflow 2 inlet valve. Internal overflow only.

Important: Working pressure minimum 30kPa to maximum 1000kPa flow pressure. Rain water tank compliant.

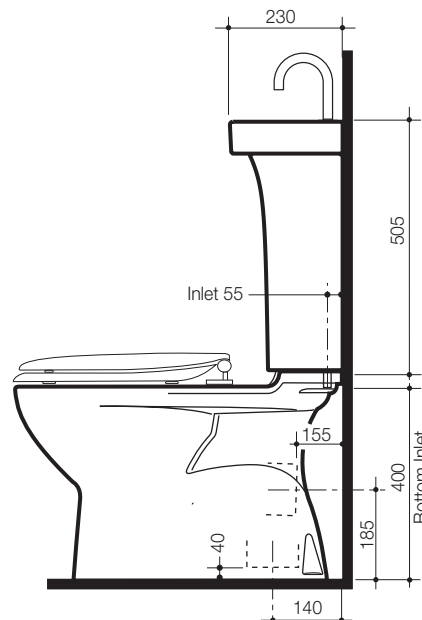
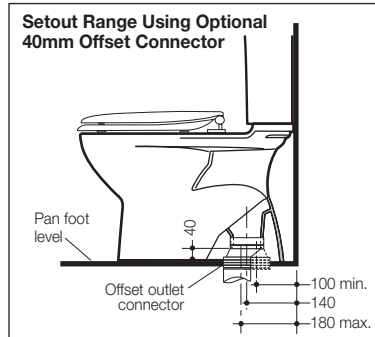
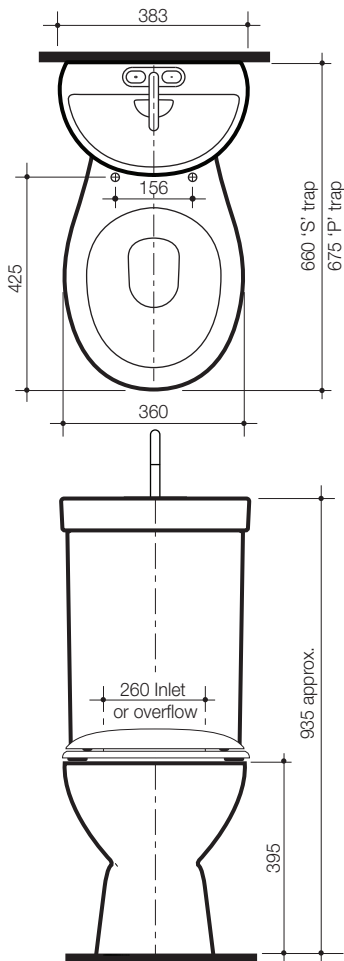
Fixing: The cistern is fixed directly to the pan with a robust base fixing system without the need for wall fixing.

Seats: The **Avalon** soft close toilet seat is provided as standard with the Profile 5 Deluxe (IHB) toilet suite. See chapter 5.01 SEATS of the Caroma Technical Manual for further details

Colours: White only.

Installation: The installation of the toilet suite shall be in accordance with the normal minimum drainline grade requirements in AS/NZS 3500.2.

Dimensions: All dimensions are in millimetres and are subject to normal manufacturing variations. Caroma pursues a policy of continuing improvement in design and performance of its products. The right is therefore reserved to vary specifications without notice.



Profile 5 Deluxe (IHB) Close Coupled Toilet Suites:

		Code
4.5/3 litre Bottom Inlet – Internal Overflow		
S-trap	RH inlet	977785
P-trap	RH inlet	977795
Optional 40mm Offset Connector		687270

Note: All height dimensions to underside of pan, make allowance for bedding.

Bedding: The pan should be fixed to the floor with a sand cement mixture of 3:1 to a depth of 60mm. Do not use lime or fast drying cement in the bedding mixture. When bedded the back of the foot of the pan should be approximately 10mm above the finished floor.

Screw fixing: The pan should be bedded with an acetic cured silicone sealant and fixed with corrosion resistant screws and pan guard washers. Use Caroma screw fixing kit. Code No.601150.